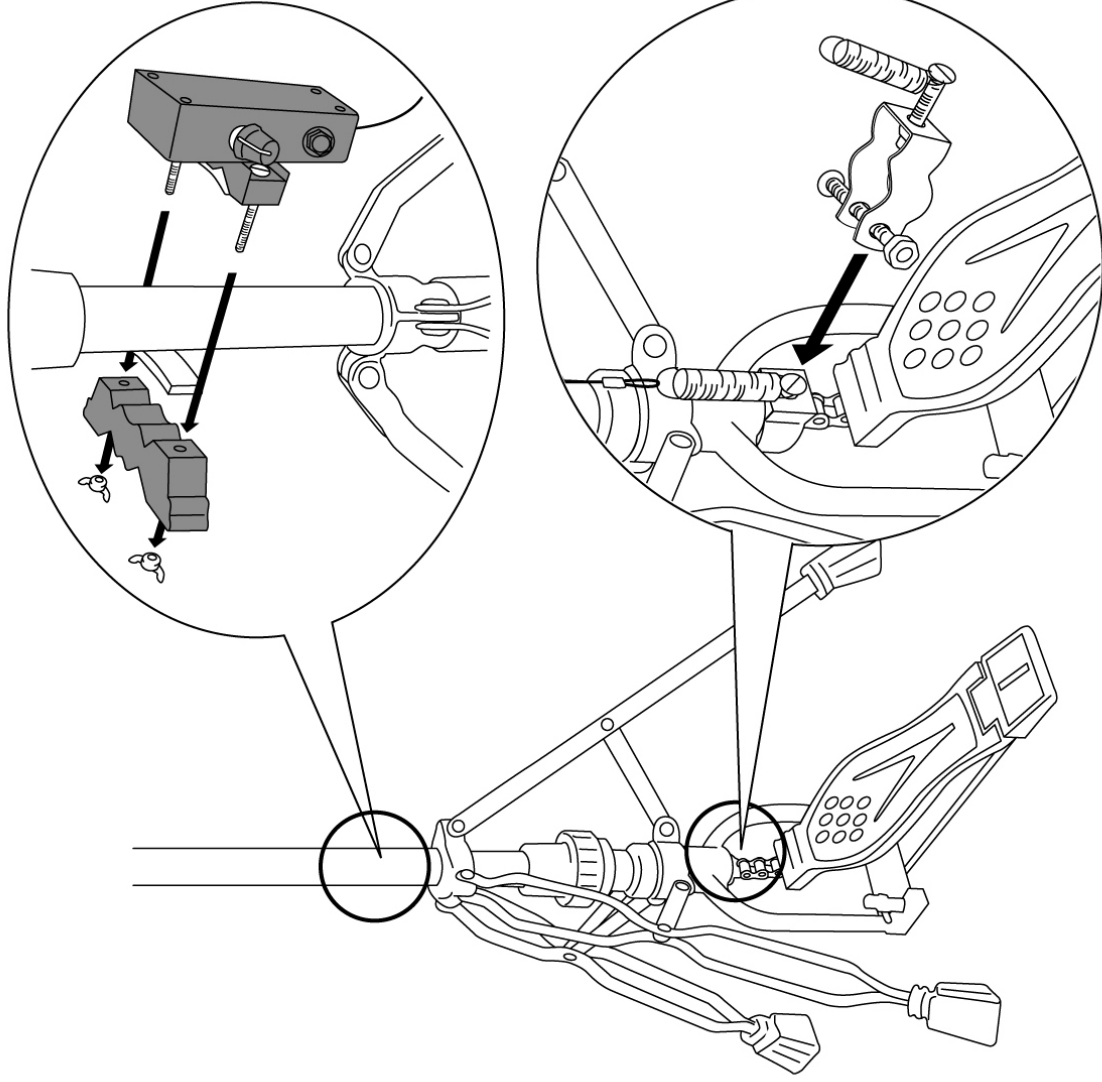


Pintech Hi-Hat Controller



1. Attach HiHat Controller Box to HiHat stand above the legs and tighten wing nuts after in desired position.

Tip: There should not be any slack in the line coming out of the HiHat Controller going to the spring. If there is slack just move the HiHat Controller box up.

2. Attach clamp to HiHat pedal and tighten screws (two)